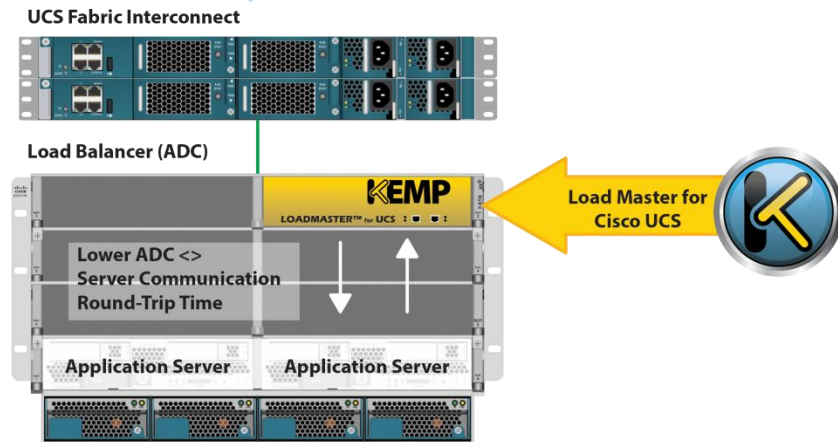


ADC & Load Balancer Software Inside the UCS Fabric

IVT Certified for Cisco UCS



The LoadMaster™ Operating System for Cisco Unified Computing System (LM-UCS™) is the latest addition to KEMP Technologies’ award-winning LoadMaster family of application delivery controllers. LoadMaster Operating System provides application and server load balancing, high availability, security, workflow visibility and traffic acceleration. It is optimized to integrate directly into the high-performance UCS fabric leveraging its high performance compute, I/O and fabric infrastructure.

Application performance can be enhanced by co-locating the Application Delivery Control with the workload servers, making best use of the UCS fabric to minimize round trip times and network hops. This removes the “trombone effect” which can be introduced by the use of an external ADC.

LM-UCS includes the same core advanced software features offered by the entire LoadMaster product line, including L4/7 load balancing, L7 content switching, SSL Offload, Server and Application Health Checking, IP and L7 Persistence methods, Content Caching and Compression, IPS and much more.



Feature	Benefit
High Performance L4/7 Server Load Balancing	Ensures each user gets the best application experience possible
Server Hardware and Application Health Checking	Guarantees user requests will be directed to only “available” servers and “available” applications
IP and L7 Persistence	Ensures that users maintain continuous connections with the specific server where “their” transactional data is available – even if the IP address changes or the session is temporarily interrupted
SSL Acceleration/Offload	Optimizes server performance and user experience for encrypted application content
Advanced Application Delivery Features	Accelerates traffic and reduces latency through intelligent Content Caching, Content Compression and Content Switching
Intrusion Prevention System (IPS)	Thwarts application-level threats even when masked in encrypted application content
Integration Within UCS Fabric	Allows the ADC portion of network deployments to take advantage of lower-latency communication and elasticity inherent to UCS which facilitates shorter round-trip communication time and increased scalability
Pre-Authentication and Single-Sign On	Validates user access to resources prior to forwarding requests to application servers and facilitates a simple user login experience across multiple applications serviced by LoadMaster

	LMOS-UCS-B-6	LMOS-UCS-B-16	LMOS-UCS-B-32
Support Level Included	1 st Year Basic	1 st Year Basic	1 st Year Basic
Max Real (Physical/VM) Servers †	1000	1000	1000
Max Virtual Services (VIP) †	1000	1000	1000
Max Balancer Throughput † *	10Gbps	30Gbps	60Gbps
SSL Transactions Per Second (TPS) † *	6500	10,000	20,000
Max Supported CPU Cores †	6	16	32
Layers 4/7 Load Balancing	√	√	√
Content Switching	√	√	√
Caching, Compression Engine	√	√	√
IPS (SNORT-Rules compatible)	√	√	√
L7 Cookie Persistence (Active/Passive)	√	√	√
Microsoft Exchange 2010 / 2013 Optimized	√	√	√
Pre-configured Exchange 2010 / 2013 Virtual Services	√	√	√
Supports most other TCP/UDP IP Applications	√	√	√
Active/Hot-standby Redundant Operation	√	√	√
Supports Edge Security Pack			
- Pre-Authentication	√	√	√
- Single Sign On			
- Persistent Logging			

† All figures are maximum licensed values.

* Actual performance is dependent on the blade configuration including processor, memory, networking and overall system architecture.