

T-Series Optical CWDM Multiplexers

Introduction

The T-Series CWDM Multiplexers multiplex and demultiplex optical CWDM wavelengths using high quality filters. They fully support ITU G.694.2 and G.695 and are the ideal way to add more capacity to an existing fiber network. By multiplexing 8 CWDM wavelengths, the capacity of the fiber will be increased significantly. Furthermore, the modules are prepared for a DWDM upgrade path to add an additional 16 DWDM channels. An optional 1310 nm expansion port allows legacy 1310 nm traffic to also be added to the same fiber network. It can also be used to increase the capacity of the fiber from 8 to 16 CWDM channels by utilising 8 CWDM channels in the 1310 nm window.

The modules are based on a standard LGX building practice and offer a very easy installation and connection process. Two modules can be mounted into a 19" or 23" bracket. Industry practise wavelength colour coding allows easy set-up and installation resulting in a true Plug and Play experience.

The T-series:

- T-3009: 8+1 channel Mux/Demux (1471, 1491, 1511, 1531, 1551, 1571, 1591, 1611 nm + 1310 nm)
- T-3008: 8 channel Mux/Demux (1471, 1491, 1511, 1531, 1551, 1571, 1591 and 1611 nm)
- T-3005: 4+1 channel Mux/Demux (1511, 1531, 1551, 1571 nm + 1310 nm)
- T-3004: 4 channel Mux/Demux (1511, 1531, 1551 and 1571 nm)
- T-3001: 1310/1550 bandsplitter

- T-3016: 8 channel Mux/Demux (1291, 1311, 1331, 1351, 1371, 1391, 1411 and 1431 nm)
(Details of T-3016 can be found in separate data-sheet)

Applications

All optical communication systems, such as:-
Gigabit Ethernet, SDH/SONET, ATM, ESCON, Fibre Channel, FTTx and CATV.

Features & Benefits

- Multiplexing of up to 16 CWDM wavelengths
- Low insertion loss
- Compliant to ITU G.694.2 and G.695
- Optional 1310 nm port for legacy traffic or CWDM upgrade
- LC/UPC connectors or LC/APC connectors
- 1U Low profile modular design
- Passive, no electric power is required
- Extremely reliable (MTBF ca. 500 years)



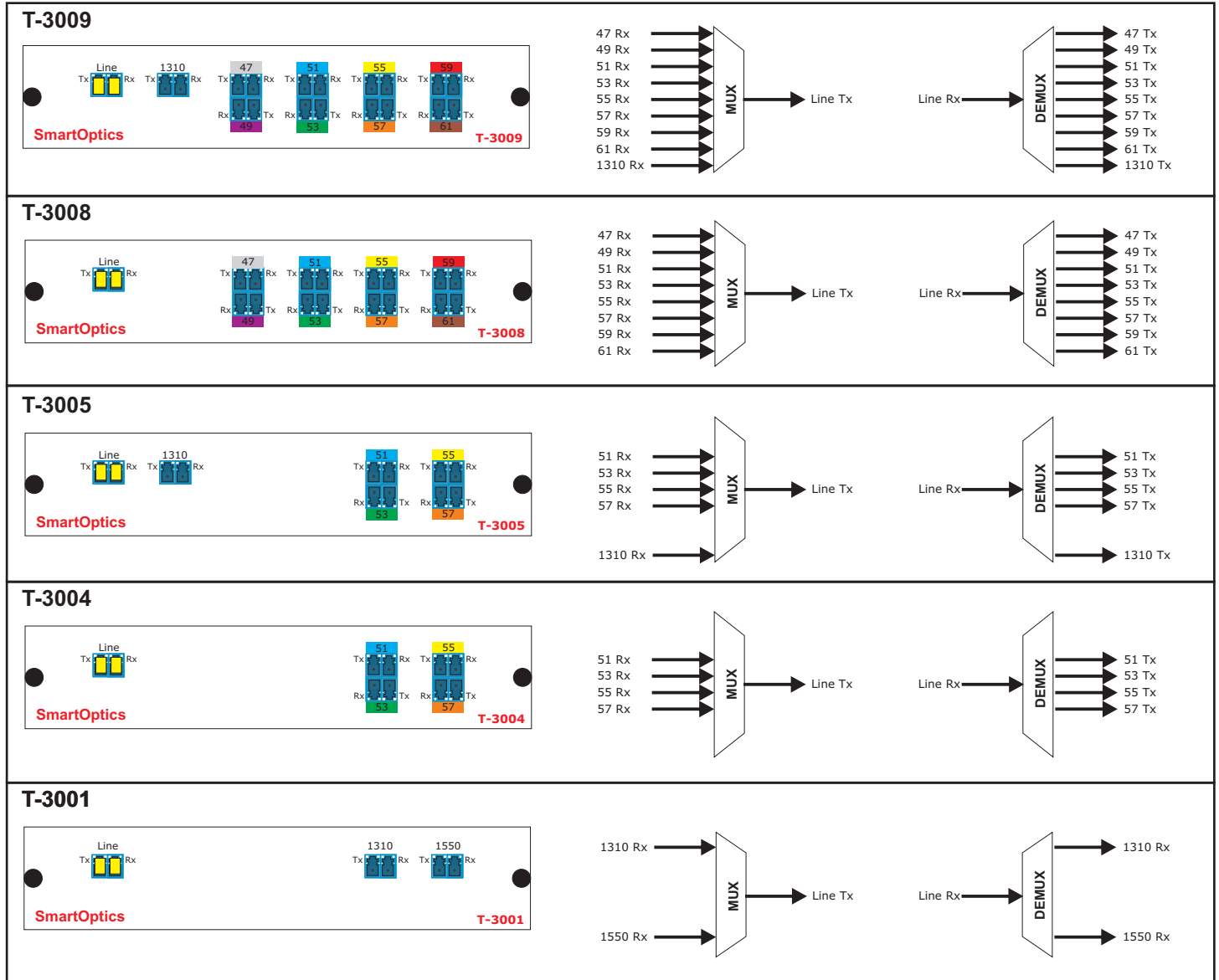
Mechanical Specification

Material: Aluminium
 Weight: 1.0 kg
 Dimensions: W212 x H43 x D192 mm
 19" and ETSI mountable

Specifications Optical

Operating Wavelengths:	1471, 1491, 1511, 1531, 1551, 1571, 1591, 1611 1291, 1311, 1331, 1351, 1371, 1391, 1411 and 1431 nm
Connector Interface:	LC/UPC
Operating Temperature:	0° C to +70° C
Insertion Loss: (link-loss for Mux/Demux pair)	4.0 dB T-3009 3.5 dB T-3008 3.5 dB T-3005 3.0 dB T-3004 1.8 dB T-3001
Insertion loss upgrade:	1.8 dB at 1551 nm port (DWDM) 1.5 dB at 1310 nm port (CWDM)
Channel isolation:	>30 dB

Front panel layout and wiring diagram:



Ordering Information:

- T-3009-LC 8+1 channel Mux/Demux, LC connector interfaces, C47 - C61, 1310 nm expansion port
- T-3008-LC 8 channel Mux/Demux, LC connector interfaces, C47 - C61
- T-3005-LC 4+1 channel Mux/Demux, LC connector interfaces, C51 - C57, 1310 nm expansion port
- T-3004-LC 4 channel Mux/Demux, LC connector interfaces, C51 - C57
- T-3001-LC 1310/1550 nm bandsplitter, LC connector

- T-3009-LC-APC 8+1 channel Mux/Demux, LC/APC connector interfaces, C47 - C61, 1310 nm expansion port
- T-3008-LC-APC 8 channel Mux/Demux, LC/APC connector interfaces, C47 - C61
- T-3005-LC-APC 4+1 channel Mux/Demux, LC/APC connector interfaces, C51 - C57, 1310 nm expansion port
- T-3004-LC-APC 4 channel Mux/Demux, LC/APC connector interfaces, C51 - C57
- T-3001-LC-APC 1310/1550 nm bandsplitter, LC/APC connector

- T-3001-19 19" mounting bracket for 2 modules of T-series or C-series
- T-3001-23 23" mounting bracket for 2 modules of T-series or C-series